

12.2 The manufacturer shall supply a certificate of test and examination in accordance with 8.2 and 8.3 of IS 7847.

13 MARKING

13.1 Provided that the hook passes the proof test, each hook shall be legibly and indelibly marked on parts not highly stressed. This marking shall include at least the following information:

- Grade letter,
- Safe working load, and

c) Manufacturer's identification mark.

13.2 BIS Certification Marking

The hook may also be marked with the Standard Mark.

13.2.1 The use of the Standard Mark is governed by the provisions of *Bureau of Indian Standards Act, 1986* and the Rules and Regulations made thereunder. The details of conditions under which the license for the use of the Standard Mark may be granted to manufacturers or producers may be obtained from the Bureau of Indian Standards.

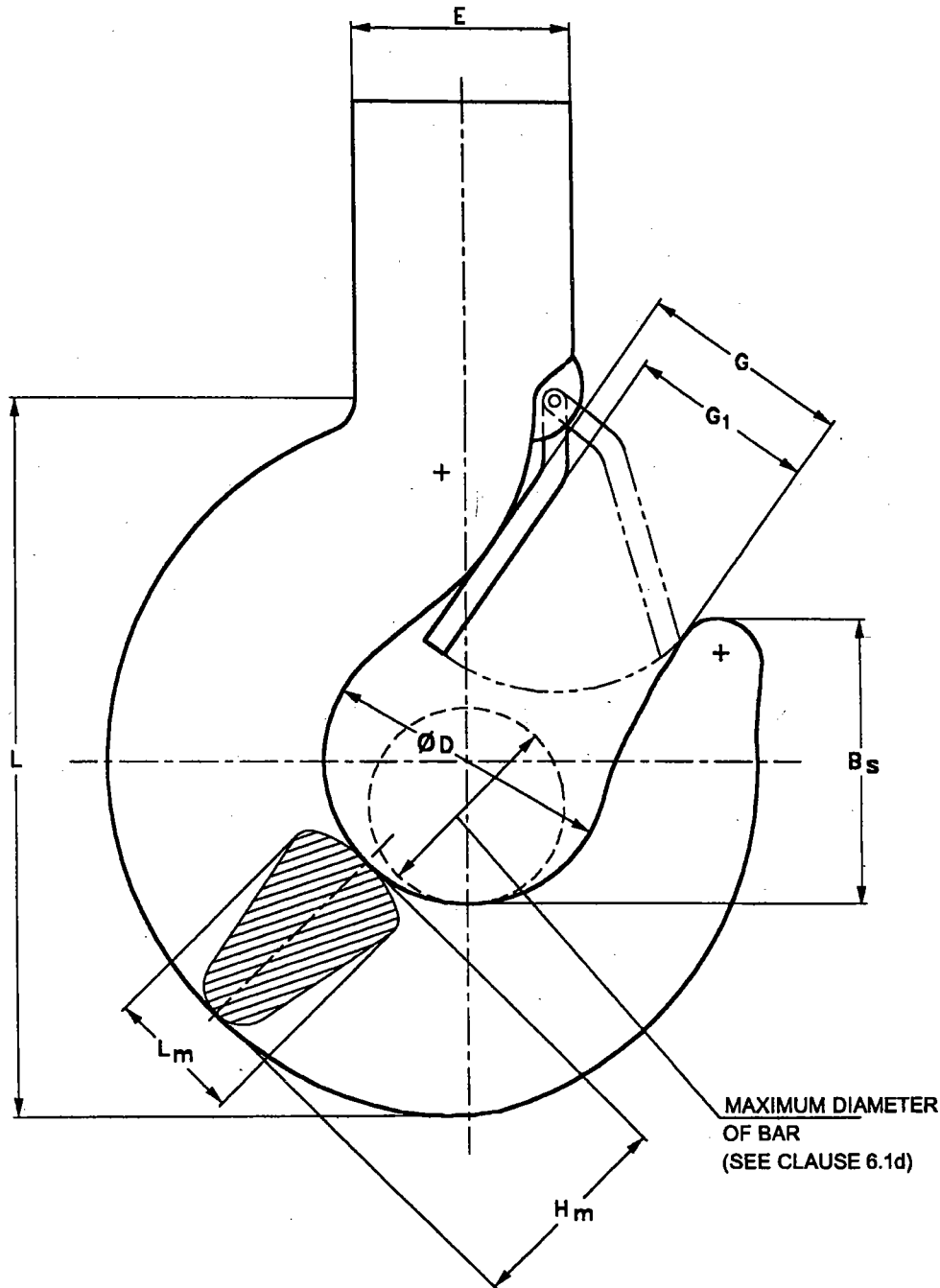


FIG. 1 DIMENSIONS OF HOOK

Table 1 Dimensional Characteristics of Shank Hooks

(Clause 6.1)

All dimensions in millimetres.

Lifting Capacity 'C _p ' in Tonnes for Grade				Throat Opening 2.9 d _n Max	Throat Opening 2.7 d _n Min	Seat Dia Min	Section			Shank Dia Max	
							Depth Max	Width Max	Height Min		
L	M	S	T	G	G ₁	D	H _m	L _m	L	E	B _s
(1)	(2)	(3)	(4)	(5)	(6)	(7)	(8)	(9)	(10)	(11)	(12)
0.63	0.80	1.25	1.60	20.60	19.20	27.00	30.50	20.60	122	25.00	49
0.80	1.00	1.60	2.00	23.20	21.60	30.40	34.40	23.20	130	26.50	54
1.00	1.25	2.00	2.50	26.10	24.30	34.20	38.70	26.10	139	28.00	57
1.25	1.60	2.50	3.20	29.00	27.00	38.00	43.00	29.00	149	30.00	60
1.60	2.00	3.20	4.00	31.90	29.70	41.80	43.70	31.90	158	31.50	64
2.00	2.50	4.00	5.00	34.80	32.40	45.60	51.60	34.80	170	33.50	68
2.50	3.20	5.00	6.30	40.60	37.80	53.20	60.20	40.60	188	37.50	72
3.20	4.00	6.30	8.00	46.40	43.20	60.80	68.80	46.40	209	42.50	76
4.00	5.00	8.00	10.00	52.20	48.60	68.40	77.40	52.20	235	47.50	80
5.00	6.30	10.00	12.50	58.00	54.00	76.00	86.00	58.00	263	53.00	90
6.30	8.00	12.50	16.00	65.00	59.40	83.60	94.60	63.80	296	60.00	101
8.00	10.00	16.00	20.00	72.20	67.50	95.00	107.50	72.50	335	67.00	113
10.00	12.50	20.00	25.00	81.20	75.60	106.4	120.40	81.20	375	75.00	127
12.50	16.00	25.00	32.00	92.80	86.40	121.6	137.60	92.80	402	85.00	143
16.00	20.00	32.00	40.00	104.40	97.20	136.8	154.80	104.40	469	95.00	160
20.00	25.00	40.00	50.00	127.0	117.0	169.0	157.0	101.0	485	110.0	180
25.00	32.00	50.00	63.00	142.0	131.5	189.0	176.0	113.0	520	120.0	202
32.00	40.00	63.00	80.00	155.0	143.5	207.0	193.0	124.0	569	130.0	225
40.00	50.00	80.00	100.0	168.0	156.0	224.0	208.0	134.0	616	140.0	252
50.00	63.00	100.0	125.0	187.0	173.0	247.0	229.0	148.0	680	150.0	285
63.00	80.00	125.0	160.0	200.0	185.0	250.0	280.0	224.0	906	170.0	320
80.00	100.0	160.0	—	224.0	207.0	280.0	315.0	250.0	1 020	190.0	358
100.0	125.0	—	—	250.0	231.0	315.0	355.0	380.0	1 115	212.0	402
125.0	160.0	—	—	280.0	259.0	355.0	400.0	315.0	1 250	236.0	450
160.0	—	—	—	315.0	292.0	400.0	450.0	355.0	1 485	260.0	505